



# INSTRUCTIONS WALL BOX TIME SWITCH

15278

## CAUTION:

Installation by a licensed electrician is recommended. Installation and use of this equipment should be in accordance with provisions of the U.S. National Electrical Code, applicable local codes and pertinent industry standards.

These timers are not to be used in precision timing applications when inaccurate timing could have dangerous consequences such as with sun lamps or in tanning booths.

Do not use to control receptacles.

For indoor use only unless installed in a, NEMA type 3R enclosure.

Use only copper wire.

## Specifications:

20A, 125VAC General Purpose

10A, 250VAC General Purpose

10A, 277VAC General Purpose

7A, 125VAC Tungsten

1HP, 125VAC

1HP, 250VAC

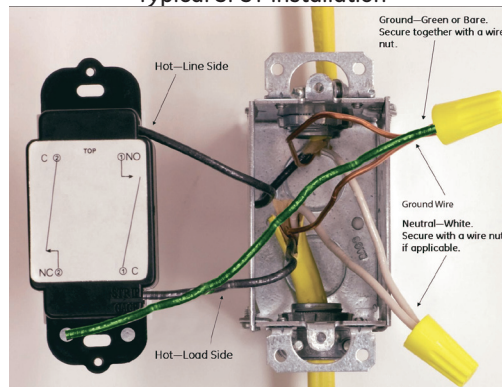


## Installation Instructions

This GE Spring Wound Timer is easy to install and will fit in any standard 2-1/2 inch deep wall box. Timer fits both toggle switch and rocker/decorator switch applications in a single or multi gang vertically installed box setup. Timer will work in single pole, 3-Way, or reverse acting applications. If you are unsure about the installation of this timer please contact a licensed electrician.

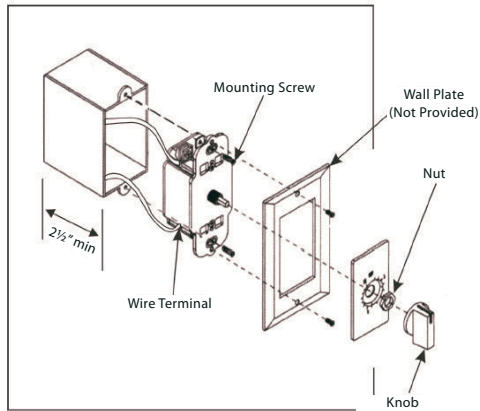
1. Turn power off at circuit breaker or fuse box before installation.
2. Remove current wall plate and current switch from vertically installed wall box.
3. Wires should be stripped 5/16 inch long. Wire Strip gauge on back of timer may be used to measure 5/16 inch.
4. Attach wires to timer by sliding the stripped end of the wires into the timer terminals. Be sure and note the proper wiring for your particular application. See "Applications" section of this manual for more information. Screw terminals down tight to secure the wires to the timer. (See Image Below)
5. Attach ground wire (green) to bare ground in wire box. Use included wire nut and twist together see image of typical SPST installation.

Typical SPST Installation

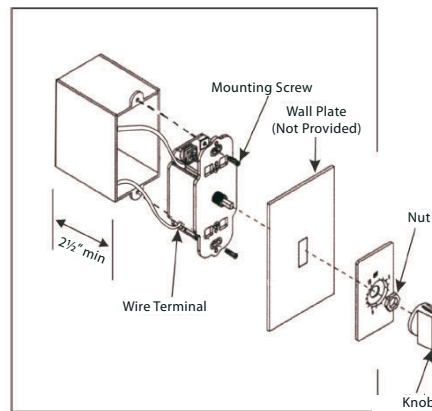


\* Note – Ground and Neutral are not used by the timer.

6. Insert timer into the 2-1/2" wall box being careful not to pinch any wires. Be sure the TOP (indicated on front of timer) is facing up. Fasten the timer to the wall box using the screws provided.
7. Place standard toggle or rocker/decorator wall plate on timer referring to the appropriate diagram below. Be careful to not over tighten wall plate screws.



Decorator Wall Plate and Dial Mounting



Toggle Switch Plate and Dial Mounting

**NOTE:** When using a toggle wall plate, the two wall plate screws are not required in order to secure the wall plate. The nut will hold the wall plate in position once assembled. If screws are required for the toggle wall plate they must be self-tapped into the timer by applying carefully, inward pressure while turning the screw in order to self-tap into the timer. If using the rocker/decorator style wall plate screw the wall plate into the top and bottom tabs of the timer using the screws supplied with your current wall plate. **BE SURE TO NOT OVER TIGHTEN!**

8. Slide the timer dial plate over the knob extension of the timer. It should fit snugly onto the wall plate. Be sure the "OFF" is oriented with the TOP of the timer as marked on the timer. Carefully screw on the provided nut.
9. Push timer knob onto knob extension. Be sure the pointer is lined up with "OFF" on dial plate.
10. Turn power on at the circuit breaker or fuse box.

## Operating Instructions

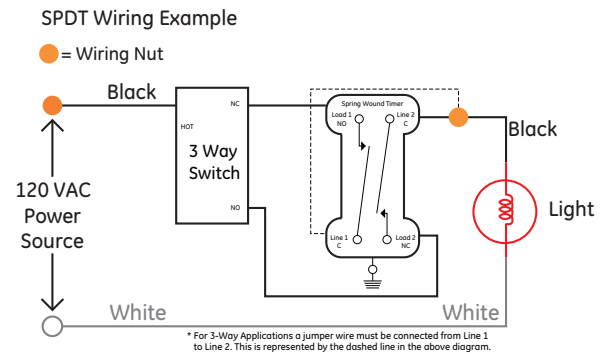
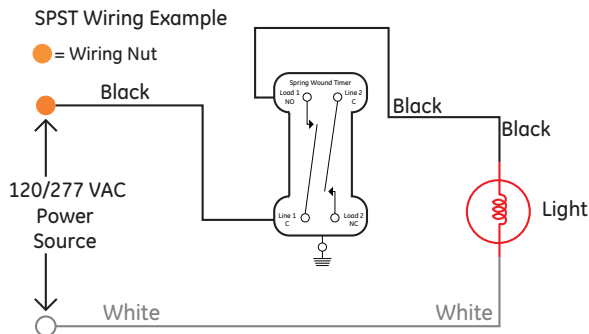
Turn knob clockwise to desired time period.  
Timer will automatically turn current off at end of period.

## Applications

This timer has multiple pole configurations including SPST, SPDT (3-Way), and DPST. Please see below for an explanation.

### SPST (Lighting, Fans, A/C Units, Small Appliances)

### SPDT (Hallways, Multi-Levels, Large Rooms)



### REVERSE ACTING (Load always on except when timer is engaged)

